



Circuit Breaker with On/Off Capability

This unique circuit breaker consists of a thermal circuit breaker and a rocker switch style housing. When an overload conditions occurs, the contacts will break apart. By returning the actuator to the OFF position then back to ON, the circuit breaker mechanism will reset.

Specifications

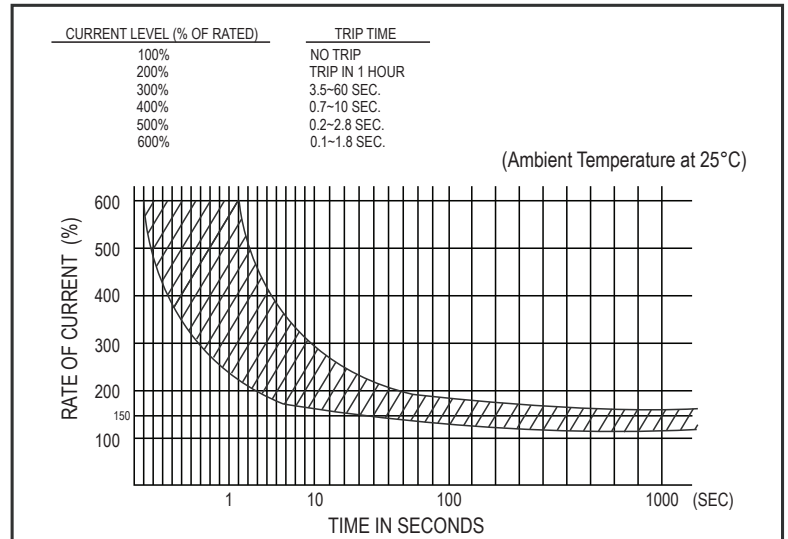
Electrical Ratings	3A~20A @ 125/250VAC	Insulation Resistance	>1000MΩ min
Electrical Life	10,000 cycles typical	Interrupt Capacity	2000A @ 125VAC; 1000A @ 250VAC
Contact Resistance	<30mΩ initial @ 2-4VDC, 100mA	Operating Temperature	-40°C to 85°C
Dielectric Strength	3000Vrms min (terminal - terminal)	Storage Temperature	-40°C to 85°C

Materials

Actuator	Poly Carbonate
Housing	Nylon
Rivets	Aluminum
Contacts	AgSnO ₂
Terminals	Brass

Trip Times / Current Levels

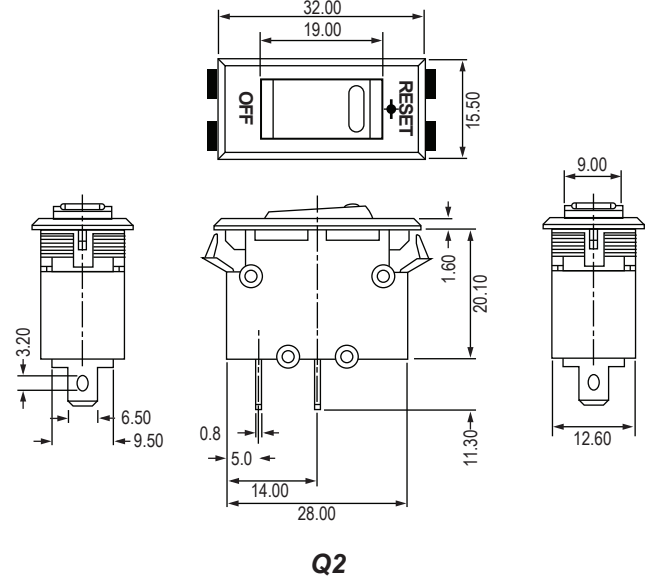
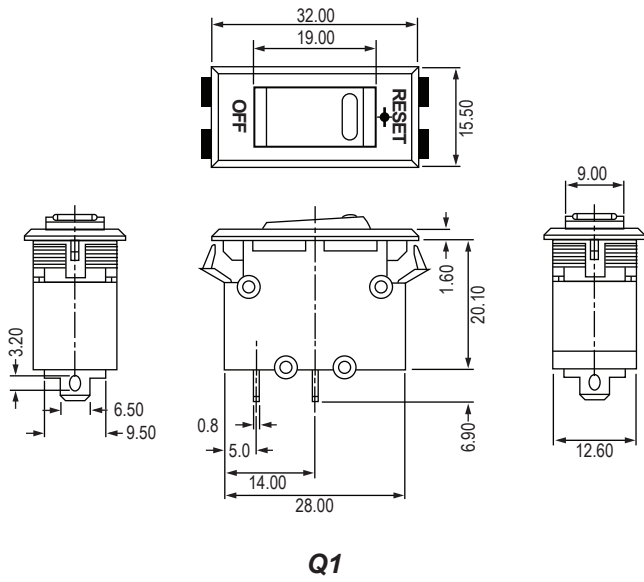
% of Rated Current	Trip Time
100	No Trip
150	< 1 Hour
200	3.5 - 60 sec
300	0.7 - 10 sec
400	0.35 - 5 sec
500	0.2 - 2.8 sec
600	0.1 - 1.8 sec



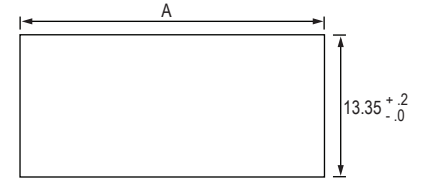
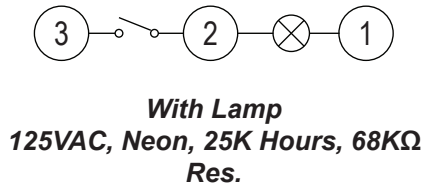
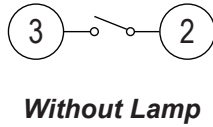
Ordering Information

1. Series	CITR2	15	Q2	L	S
CITR2					
2. Contact Ratings	03 = 3A 10 = 10A 04 = 4A 12 = 12A 05 = 5A 15 = 15A 06 = 6A 20 = 20A 08 = 8A				
3. Termination Options	Q1 = Short quick connects Q2 = Long quick connects				
4. Lamp Options	A = 250VAC neon, translucent red actuator N = No lamp, opaque red actuator L = 125VAC neon, translucent red actuator K = No lamp, translucent red actuator G = 125VAC neon, translucent green actuator H = No lamp, translucent green actuator				
5. Printing Options	None = No printing S = Reset / OFF				

Dimensions



Schematics, PC Layout & Panel Mounting



Thickness	Dim "A"	
0.8 ~ 1.0	28.4	+ .1 / - .0
1.1 ~ 1.4	28.8	+ .1 / - .0
1.5	29.0	+ .1 / - .0

Ambient Temperature Compensation Table

Ambient Temperature in °C	Rating Correction Factor 3A~20A
-20	x1.7
-5	x1.2
10	x1.1
20	x1.05
25	x1.0
30	x0.9
40	x0.8
50	x0.7
60	x0.6
85	x0.45